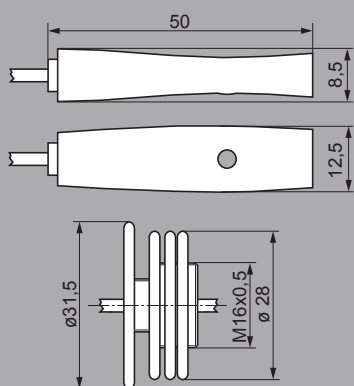
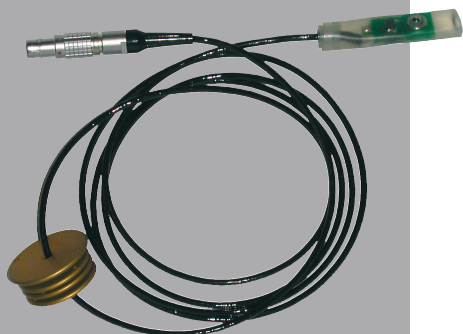


Water pressure sensors

The pressure sensor is encased in silicon and measures the pressure and temperature of a system filled with water. It is linked to the MSR12 via cable. An optionally available multi-layer seal allows the cable to be routed through one or more water-tight barriers.



P2500 WATER

Sensor type:	MS5534A
Measured parameters:	Pressure Temperature
Measurement range:	0-2500 mbar absolute -10 °C to +60 °C
Resolution:	0.1 mbar 1 °C
Accuracy:	±2,5 mbar max. (750-1100 mbar absolute) ±1 °C at 20 °C
Item number:	B10121

P14 K WATER

Sensor type:	MS5535A
Measured parameters:	Pressure Temperature
Measurement range:	0-14 000 mbar absolute -10 °C to +60 °C
Resolution:	0.1 mbar 1 °C
Accuracy:	±25 mbar max. (0-5000 mbar, 0 °C to 50 °C) ±160 mbar max. (0-14 000 mbar, -10 °C to +60 °C) ±1 °C at 20 °C
Item number:	B10110

General

Medium:	Water
Dimensions:	See drawing
Cable length:	1.6 m
Weight exc. cable:	7 G
Electrical connections:	Plug for MSR 12 (LEMO)
Sensor sheath material:	Silicon
Operating conditions:	Temperature: -10 °C to +60 °C Humidity: 0-95 % relative humidity, non-condensing
Storage conditions:	Temperature: -20 °C to +70 °C Humidity: 0-95 % relative humidity, non-condensing

Required additional module: PR8 (Item number B10018)

MSR Electronics GmbH
Oberwilerstrasse 16

中国代理商:
宏科汽车技术研究中心
广州市五山华南理工大学国家科技园
2号楼 504-505室 邮编: 510640
电话: 020-38743030; 38743032;
020-38743233
传真: 020-38743233
sales@hkaco.com
www.hkaco.com

Distributor:

