

# 全扇出矩阵开关 – MAR2810

## VLF / LF / MF / HF (0.01 – 30 MHz)



### TECHNICAL DATA @ 25°C

|                                    |                                                              |
|------------------------------------|--------------------------------------------------------------|
| <b>Part No.</b>                    | <b>1400312</b>                                               |
| Number of inputs                   | 4                                                            |
| Number of outputs                  | 8                                                            |
| Architecture                       | Non-blocking, full-fan out<br>Switching: small signal relays |
| Frequency range                    | 0.01 – 30 MHz                                                |
| Gain [dB]                          | 1 ± 1                                                        |
| Flatness [dB]                      | ± 0.5 typ., ± 1 dB max.<br>(full band)                       |
| Noise Figure [dB]                  | 7 dB typ., 8 dB max.                                         |
| OPIP3 [dBm]                        | +30 dBm min., +32 dBm typ.                                   |
| OPIP2 [dBm]                        | +60 dBm min., +75 dBm typ.                                   |
| Isolation [dB]                     |                                                              |
| out/out                            | 25 dB min., 28 dB typ.                                       |
| ...on/off                          | 70 dB min., 80 dB typ.                                       |
| VSWR                               |                                                              |
| Input                              | 1.4:1 typ., 1.5:1 max.                                       |
| Output                             | 1.2:1 typ., 1.5:1 max.                                       |
| Output pwr [dBm]<br>@ 1dB compr.   | +10 min., +12 typ.                                           |
| Input pwr [dBm]<br>non destructive | +15 CW max.                                                  |
| Relay<br>Life (per position)       | 2 million cycles                                             |
| Impedance [Ω]                      | 50                                                           |

|                    |                                                                                                                              |
|--------------------|------------------------------------------------------------------------------------------------------------------------------|
| Connectors         |                                                                                                                              |
| Input              | N female                                                                                                                     |
| Output             | BNC female                                                                                                                   |
| Local control      | ---                                                                                                                          |
| Remote control     | RJ45 Ethernet port<br>10/100 Base T.<br>TCP/IP & UDP,<br>GUI (browser interface)<br>RS-232/422/485 interface<br>(selectable) |
| Power supply       | 115/230 V AC (50/60 Hz)                                                                                                      |
| AC consumption     | 35VA max.                                                                                                                    |
| Temperature range  | Indoor use only                                                                                                              |
| Operating          | 0 ... +40°C                                                                                                                  |
| Storage            | -10 ... +60°C                                                                                                                |
| Colour:            | Front panel: RAL7021                                                                                                         |
| Attached hardware  | Power cord<br>Operating manual                                                                                               |
| Dimensions (wxhxd) | 483mm x 133mm x 480mm<br>(19" drawer, 3U)                                                                                    |
| Weight [kg]        | 8                                                                                                                            |

#### Features:

- Non-switched in- and outputs internally loaded
- Ins/outs equipped with DC-blocking capacitors
- Permanent monitoring of internal temperature, operating voltages, modules and switch positions

### OPTIONS

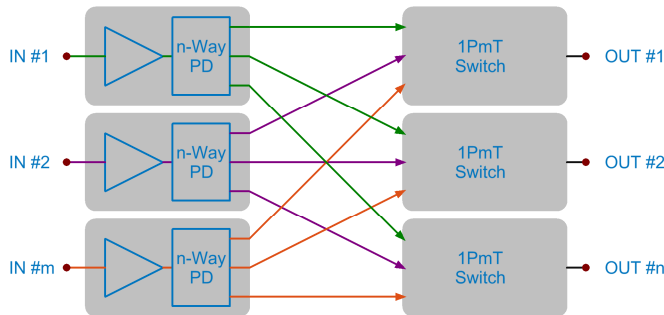
The following options are available:



- EMP lightning protector (@ input)
- RF limiter 1 – 30 MHz (@ input)
- Redundant power supply
- Local monitoring and control via LC display and keyboard at front panel
- SNMP (protocol version 1)

### DESCRIPTION

The MAR2810 is configured as a full fan-out non-blocking switch matrix. Each input is split to all output switches. This allows to select the input signal to be seen on each output. The obvious upside is its great switching flexibility.



Typical m x n Non-Blocking Matrix

The MAR2810 performs from 10kHz to 30 MHz. The matrix has low noise figure and high second and third order intercept points. This ensures a high system sensitivity and improves the reception of low amplitude signals. High isolation between outputs minimises undesirable interaction between the receivers connected to the matrix.

The matrix supports remote control. Routings can be monitored and changed, the status of different parameters can be requested.

### APPLICATIONS

- Low frequency communication
- HF communications
- Antenna switching
- Wideband Radio Monitoring Systems
- EW

### ABOUT US

**novotronic** is a Germany-based electronics engineering company. **novotronic** specialises in meeting the needs of government and defence, telecommunication, broadcast and aerospace. We have about 25 years experience producing state of the art technology for your applications.

### OUR SKILLS

**novotronic** develops and manufactures technically sophisticated products. As a **certified aerospace and defence company novotronic** operates a quality management system in accordance with ISO 9001:2015 and EN 9100:2018 (equivalent to AS 9100D and JISQ 9100:2016 including ISO 9001:2015).



关注测试专家



hkaco.com