

eTOP-MON1700T1 Tech-Note

17" IP65 Industrial 4:3 SXGA LCD Flush Touch Monitor

- IP65 compliant plastic front bezel with flush panel by 5-wire touch screen
- Dual display input interface: analog VGA/DVI-D/DisplayPort
- Shares identical appearance with EPC series
- Dual touch screen interface: RS232 and USB
- Ultra slim in depth
- OSD multilanguage function



Highlights

17" 4:3 LCD display eTOP-MON1700T1 is based on a 5-wire resistive touch screen. It has 350 nits brightness and can support resolutions up to 1280 x 1024. eTOP-MON1700T1 is ideal for space-critical environments where systems and displays are kept apart. In addition, eTOP-MON1700T1 adopts a flush panel design and has IP65 front panel.

eTOP-MON1700T1 provides prevailing video interfaces: VGA, DVI and DisplayPort, supporting both digital and analog signals; touch screen can be connected with RS232 or USB ports. Moreover, eTOP-MON1700T1 supports 12~24VDC power input and offers panel mount and VESA mount, allowing users to choose the mounting method that meets their situation. eTOP-MON1700T1 is the best solution for eCC fanless computer and EPC panel PC when a second display is required.



hkaco.com



关注我们

eTOP-MON1700T1 Technical Data



Panel

- LCD size: 17", 4:3
- Resolution: SXGA 1280 x 1024
- Luminance: 350cd/m2
- Contrast ratio: 800
- LCD color: 16.7M
- Viewing angle: 60 (U), 80 (D), 80 (L), 80 (R)
- Backlight: LED

Touch Screen

- 5-Wire resistive (flush panel type)
- Light transmission: 81%
- Interface: USB and RS232



Rear I/O

- Touch interface port: RS232 (1 x DB9)/USB type A
- Video port: VGA (1 x DB15)/DVI-D (1 x DVI-I connector)/DisplayPort
- DC power input connector: 3-pin Phoenix terminal blocks

OSD Function

- OSD keypad
- Multilanguage OSD



Mechanical & Environment

- Color: Pantone black and black silver chassis box
- IP protection: IP65 front
- Mounting: panel/wall/stand/VESA 100mm x 100mm
- Power
Power input: 12V~24VDC
Power adapter: optional AC to DC power adapter (+12V, 60W)
- Vibration
IEC 68 2-64

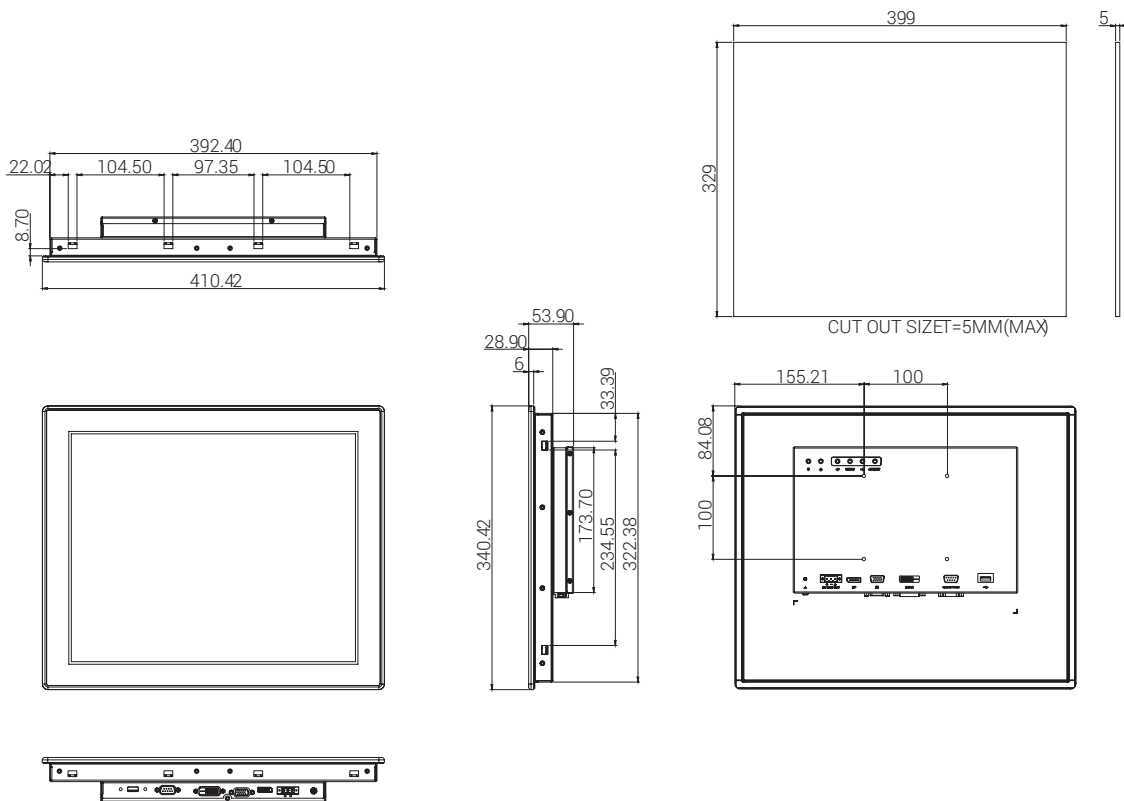
2Grms @ sine, 5~500Hz, 1hr/axis (operating)
2.2Grms @ random condition, 5~500Hz, 0.5hr/axis (non-operating)

• Shock
IEC 68 2-27
20G@wall mount, half sine, 11ms
Operating temperature: -5°C~50°C
Storage temperature: -20°C~75°C

• Operating humidity: 10%~90% relative humidity, non-condensing
• Dimension: 410.4 x 340.4 x 53.9mm
• Weight: 4.8 kg

Certifications

- CE approval
- FCC Class B



Ordering Information

Model	Part Number	Description
eTOP-MON1700T1	+73MON1700T1	17" SXGA industrial 4:3 LED Backlight flush touch monitor